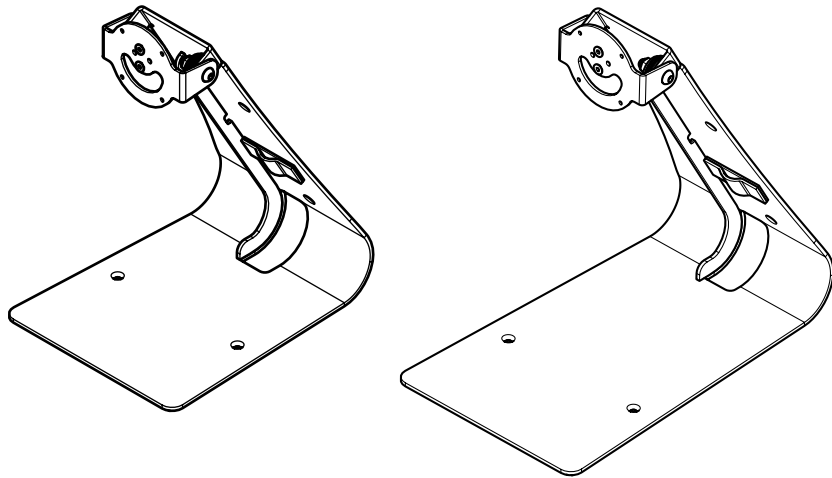

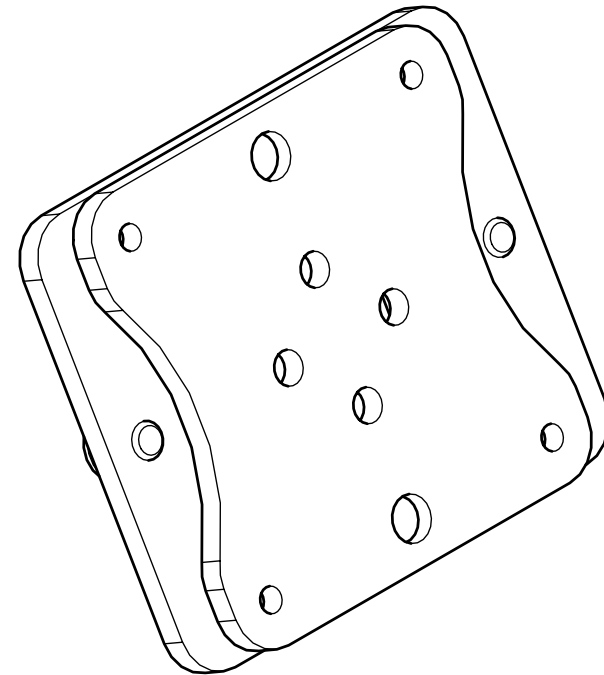


TabPrint Curve

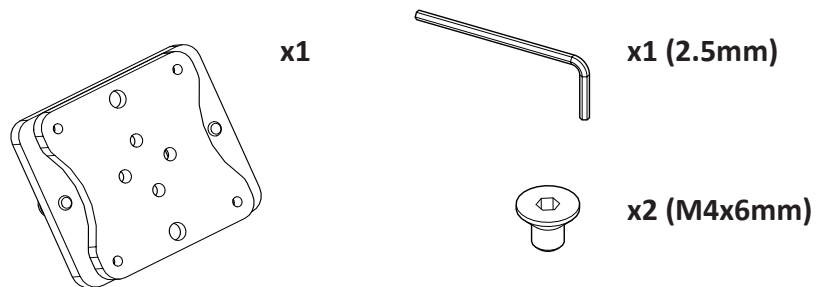


 To be purchased separately (SPTPC30X)!

SpacePole TabPrint Curve Flat mount (SPTPC401)

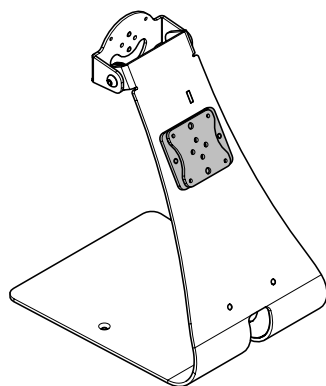


Box Content



1 Mounting Overview

Mounting position

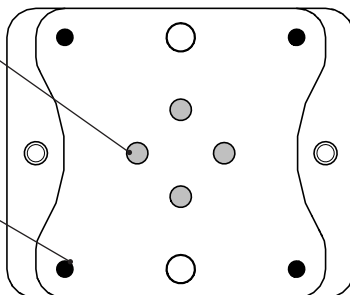


Mounting pattern - MultiGrip™ & 40 x 40 mm

a Mounting pattern used for e.g. X-Frame

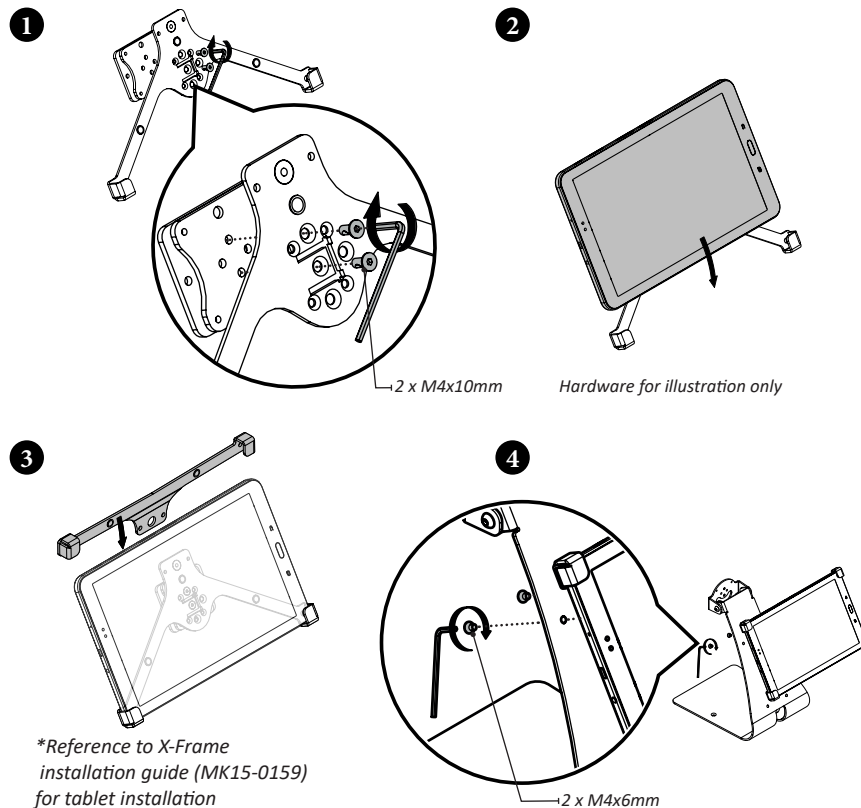
OR

b Mounting pattern used for e.g. U-Frame



2 Installation examples

a - MultiGrip™ pattern



b - 40 x 40 pattern

